



Natural Stone Fireplace Surround

INSTALLER'S GUIDE

www.pureglow.co.uk

IMPORTANT: This installation guide is to ensure that the fireplace is fitted safely and securely. This fireplace installation is not recommended as a DIY or single person project. This product is heavy: improper installation may result in serious injury and damage to the fireplace or property. Please ensure that you read through all instructions within carefully and retain for future reference. The fireplace installation must be in accordance with Building Regulations, British Standards and any Rules in Force.

IMPORTANT INFORMATION

IMPORTANT: Read all instructions carefully before beginning installation.

- It is essential that fireplaces are fitted by an experienced installer using the supplied brackets **and** a suitable adhesive. **Do not rely on adhesive alone to secure this product to the wall.**
- Any electric work must be carried out by a suitably qualified person.
- This fireplace must be installed in a suitable environment against a solid wall or structure, never against a non-structural wall such as a lightweight metal stud wall or moveable partitions etc.
- Ensure that the wall and floor have sufficient load bearing capabilities.
- Never sit, stand, lean or climb on the fireplace. Children must never be allowed to play on the fireplace and should be discouraged from playing near it.
- Do not place heavy loads on the fireplace shelf.
- Always use approved fire guards with any fires that have naked flames or are heat producing.
- Never allow combustible items to encroach onto any part of the fireplace.
- Never use any combustible sprays, liquids, stone sealers or any other flammable product near to the fireplace when there are naked flames or any heat from your fireplace appliance.
- The fireplace installation must be in accordance with planning permission and local building control.
- Any gas appliance installation completed in conjunction with this fireplace must be completed by a Gas Safe registered gas engineer, in accordance with the gas fire manufacturer's instructions.
- Fixing brackets **must** be used.
- Gypsum based products are not recommended as an adhesive and should be avoided.
- **Never** use adhesive alone to fit the fireplace.
- Brackets are to be fitted against brickwork **not** plaster.

HANDLING AND UNPACKING

WARNING: Natural stone fireplaces are heavy and should not be lifted alone. If necessary, seek assistance when moving any of the components.

- Ensure that correct safety attire is worn.
- Ensure that the packaging is the right way up before opening.
- Never use a blade to remove packaging from components.
- Check that the installation area is clear and free of debris.
- Lay components onto carpet or other soft floor covering.
- Care should be taken when lifting components that may be 'nested' within the packaging. This usually applies to fireplace leg assemblies.
- Ensure that all parts are present and are free from damage.
- Do not dispose of packaging until the installation is complete.

INSTALLATION

NOTE: Illustrations shown within this manual are representative only – actual products may differ in appearance.

IMPORTANT: The correct type of adhesive must be used and applied in the correct manner. Usage of proprietary cements, adhesives, grouts and bedding materials must conform to the manufacturer's guidelines.

In this instance, for joints between component/component and joints between component and the surrounding structures, **high strength, neutral coloured limestone or tile cement** should be used. Coloured adhesives such as Carlite bonding should not be used as this will show through the material and cause permanent staining.

- Ensure that all components are cleaned and prepared for the adhesive as per the manufacturer's instructions.
- Do not bond to wallpapered or painted surfaces.

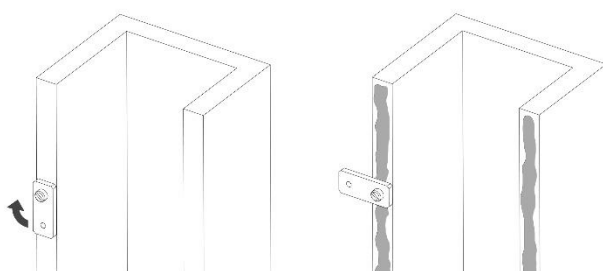
MECHANICAL/BRACKET FIXING

It is essential that the fireplace is installed using the supplied brackets **and** a suitable adhesive. **Do not rely on adhesive alone to secure this product to the wall.**

Remove all wall coverings and emulsion in the area of intended fireplace installation. Ensure the wall is completely sound, dry, dust, grease and contamination free before fitting. In properties with traditionally plastered brick walls, the plaster can be cut back to enable the fireplace surround to be fixed directly to the brickwork behind. The plaster can then be made good around the fireplace surround. **This is good practice as there will always be a risk of the fireplace surround becoming unstable should a failure of the plaster occur.**

With the exception of the hearth and back panel, all components feature a rotating plate on the rear face. Before fitting each component:

1. Locate the plate on the rear face and slacken the screw by turning anti-clockwise until the plate is loose enough to be rotated. Then tighten the screw when the bracket has been correctly orientated as per the diagram below.
2. Offer up the component to the wall in its intended installation position and mark the position of the bracket onto the wall.
3. Chase out the wall to accept the brackets so that they will be flush once fastened – you may need to add some washers as spacers to accomplish this.
4. Drill and plug the wall with **appropriate fixings** suitable for the wall type and secure the component in place (using adhesive also as described above). Make good any plasterwork to conceal the plates.

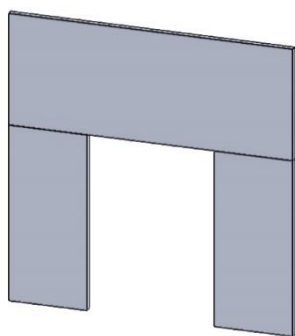


SLIP SETS

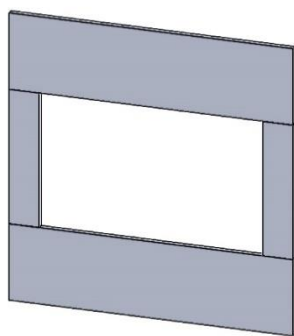
Your fireplace will come complete with one of three different types of slip set. Slip Set Type 1 comes in three flat pieces and is typically used with hearth mounted inset fires. Slip Set Type 2 comes in four flat pieces and is typically used with wall mounted inset fires. Slip Set Type 3 comes in four pieces each featuring a return that allows them to be built upon each other in a freestanding formation and is used when fitting a Chelsea 750 electric fire.

Slip Set Type 1 is typically fitted prior to installing the fire. Slip Sets Type 2 and 3 are typically fitted around the fire after it has been installed.

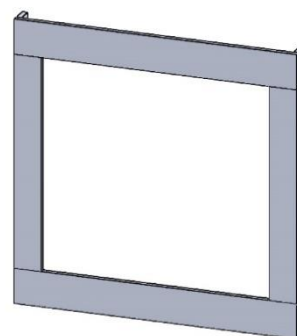
In all instances, use suitable adhesive to secure the slips to the fireplace and to one another. Note that spacers may be required behind the slips.



Slip Set Type 1



Slip Set Type 2



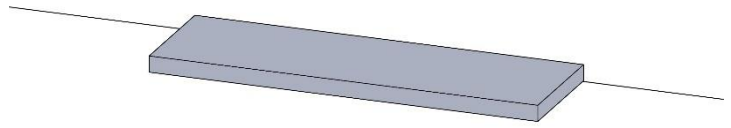
Slip Set Type 3

PRE-INSTALLATION - TRIAL FIT

Without using any mechanical fixings or adhesive, carefully offer all the components into position to check alignment against each other and the place of installation. You may want to take this opportunity to mark centrelines and the location of components. When complete, carefully remove the components and prepare for installation.

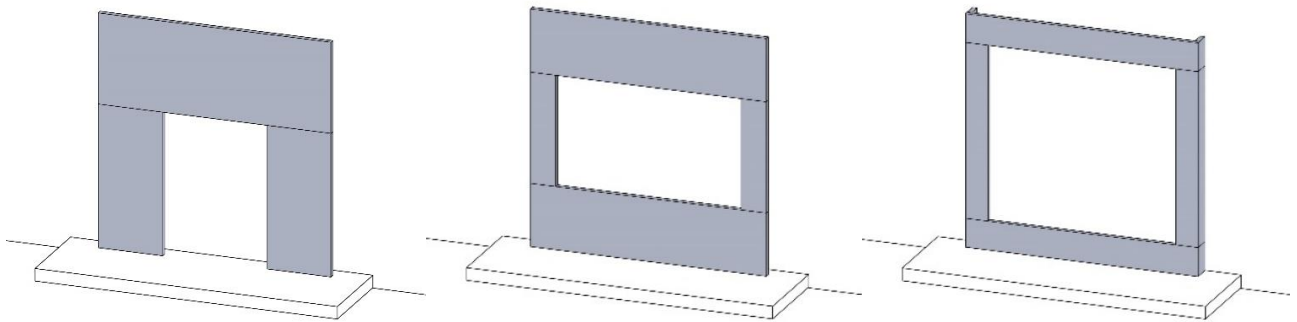
INSTALLATION STEP 1 - HEARTH

Bed the hearth ensuring that it is central to the fire, level and secure. Use a mix of washed sand and white cement to avoid any unwanted colour absorption through the hearth. Alternatively, use a polythene membrane to prevent this.



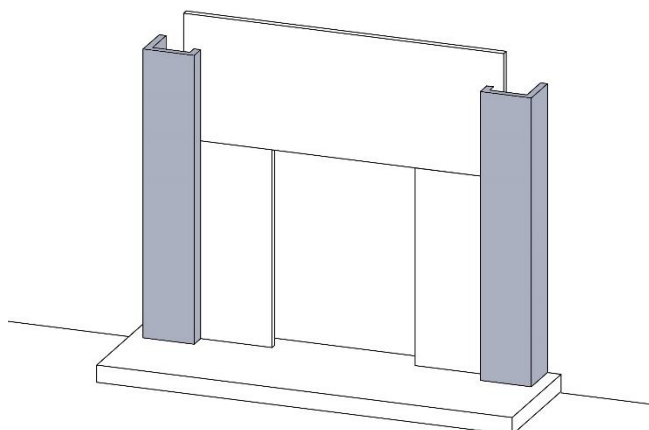
INSTALLATION STEP 2 - SLIP SET & FIRE

Identify your slip set and fire type and fit these next using suitable adhesive to secure the slips to the fireplace and to one another. Note that spacers may be required behind the slips. Ensure that the fire and slips are fitted centrally to the hearth. Refer to the manufacturer's instructions for more information about installing the fire.



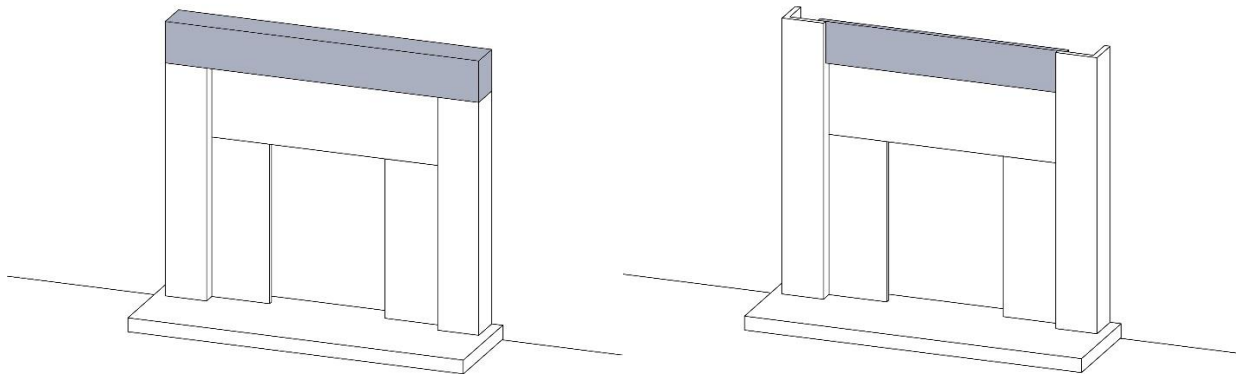
INSTALLATION STEP 3 - LEGS

Position the legs of the fireplace surround on the hearth, ensuring that they are central and spaced correctly (determined during the pre-installation trial fit). Using suitable adhesive and mechanical fixings, secure the left and right legs in place, ensuring a good bond between all components.



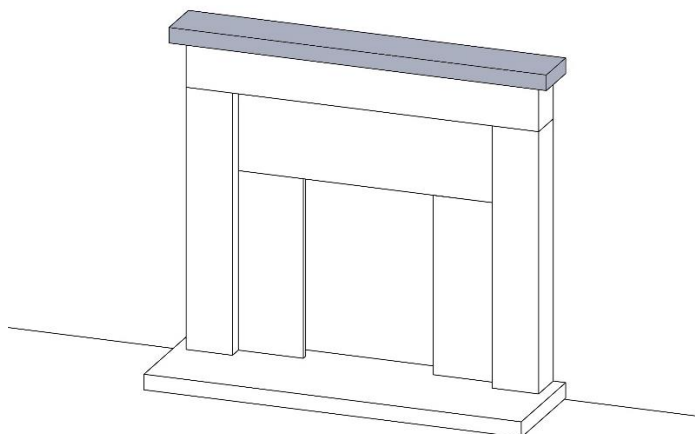
INSTALLATION STEP 4 - HEADER

Depending on your fireplace surround type, the header will be either one of two types. Header Type 1 rests directly on the top of the legs. Header Type 2 will interlock with the legs, usually running behind the leg. Using adhesive and mechanical fixings, secure the header in place, ensuring a good bond between all components.



INSTALLATION STEP 5 – SHELF

Using adhesive and mechanical fixings, secure the shelf in place, ensuring a good bond between all components.



CARE AND MAINTENANCE

It is advised that limestone fireplaces are sealed with an appropriate stone sealer after installation, but only when the fireplace is completely clean, cool and dry. Contact your fireplace retailer for further advice.

Once the fireplace is sealed, there should only be the need for dusting. Dust with a soft colour-fast cloth. Do not use any polish.

Avoid dropping anything onto the fireplace as this will cause damage. Avoid vacuum cleaners coming into hard contact with any part of the fireplace.

Avoid spillages onto the fireplace. If in the unfortunate event that a spillage occurs, soak up the spillage immediately with a soft colour-fast cloth or sponge and then clean with a damp colour-fast cloth. If there is any stain after the spillage has dried, please contact your fireplace retailer for advice as some spillages can be acidic that may penetrate the stone despite the use of a stone sealer.

PureGlow

PASSION IN DESIGN