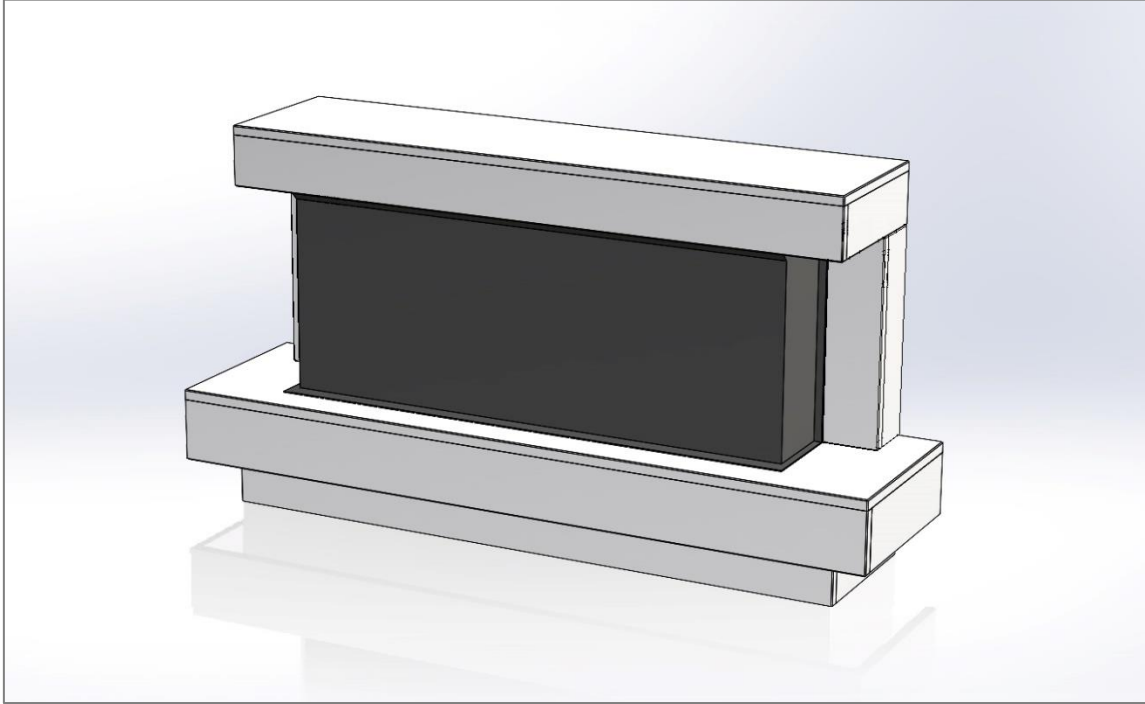


# PureGlow

PASSION IN DESIGN



SEATON SUITE

## INSTALLER'S GUIDE

[www.pureglow.co.uk](http://www.pureglow.co.uk)

**IMPORTANT:** This installation guide is to ensure that the fireplace is fitted safely and securely. Please ensure that you read through all instructions within carefully and retain for future reference. This product is heavy: improper installation may result in serious injury and damage to the fireplace or property.

## IMPORTANT INFORMATION

**IMPORTANT:** Read all instructions carefully before beginning installation.

- It is essential that fireplaces are fitted by an experienced installer using the supplied brackets **and** a suitable adhesive. **Do not rely on adhesive alone to secure this product to the wall.**
- Any electric work must be carried out by a suitably qualified person.
- This fireplace must be installed in a suitable environment against a solid wall or structure, never against a non-structural wall such as a lightweight metal stud wall or moveable partitions etc.
- Ensure that the wall and floor have sufficient load bearing capabilities.
- Never sit, stand, lean or climb on the fireplace. Children must never be allowed to play on the fireplace and should be discouraged from playing near it.
- Do not place heavy loads on the fireplace shelf.

## HANDLING AND UNPACKING

**WARNING:** Natural stone fireplaces are heavy and should not be lifted alone. If necessary, seek assistance when moving any of the components.

- Ensure that correct safety attire is worn.
- Ensure that the packaging is the right way up before opening.
- Never use a blade to remove packaging from components.
- Check that the installation area is clear and free of debris.
- Lay components onto carpet or other soft floor covering.
- Care should be taken when lifting components that may be 'nested' within the packaging. This usually applies to fireplace leg assemblies.
- Ensure that all parts are present and are free from damage.
- Do not dispose of packaging until the installation is complete.

## INSTALLATION

**IMPORTANT:** The correct type of adhesive must be used and applied in the correct manner. Usage of proprietary cements, adhesives, grouts and bedding materials must conform to the manufacturer's guidelines.

In this instance, for joints between component/component and joints between component and the surrounding structures, **high strength, neutral coloured limestone or tile cement** should be used. Coloured adhesives such as Carlite bonding should not be used as this will show through the material and cause permanent staining.

- Ensure that all components are cleaned and prepared for the adhesive as per the manufacturer's instructions.
- Do not bond to wallpapered or painted surfaces.

### MECHANICAL/BRACKET FIXING

It is essential that the fireplace is installed using the supplied brackets **and** a suitable adhesive. **Do not rely on adhesive alone to secure this product to the wall.**

Drill and plug the wall with **appropriate fixings** suitable for the wall type and secure the component in place (using adhesive also as described above).

## CARE AND MAINTENANCE

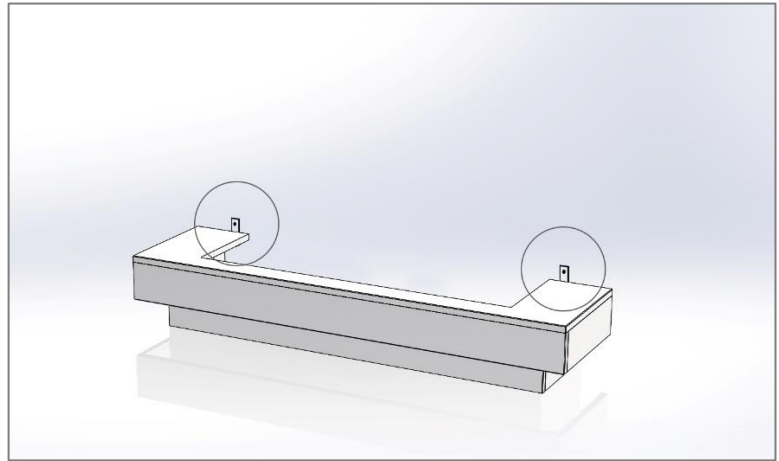
These beautiful materials, naturally formed over millions of years, have very individual features and characteristics encapsulated within them. From inside the raging furnaces of a cooling world there are the flowing swirls & veins of the molten rocks and from the crashing shores of oceans of long ago, there are the shells & fossils nestled among the silt and shingle of ebbing tides.

Your fireplace should be protected from staining. In the event of an accident, soak up any spillages immediately. Where staining has occurred, use a specialist stone cleaning and resealing kit, following the instructions given by the manufacturer.

Before cleaning, turn off the fire and allow to cool beforehand. Dust down regularly with a soft, clean brush and occasionally wipe over with a damp cloth.

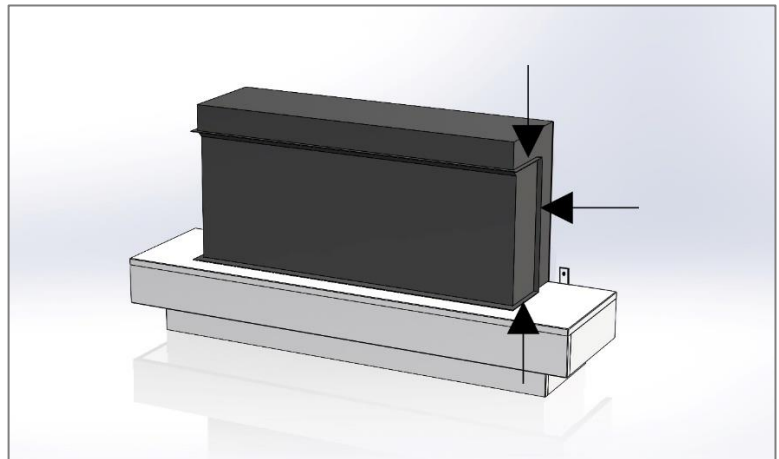
### Step 1

Bed the plinth assembly ensuring that it is central, level and secure. Use a mix of washed sand and white cement to avoid any unwanted colour absorption through the material. Additionally, you may use a polythene membrane to prevent this. Secure to the wall using adhesive and the brackets attached to the rear. The brackets may need to be rotated into position as shown.



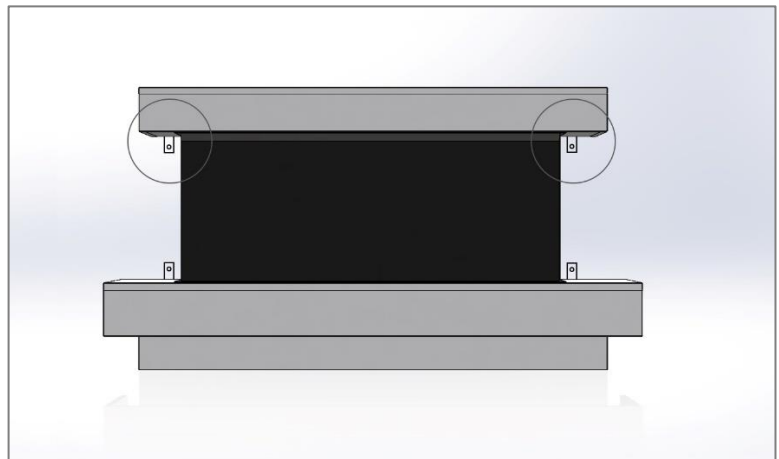
### Step 2

Position the fire onto the plinth. Ensure that the power cable is attached and connected to a power supply. Ensure that the fire is set up for Panoramic mode with the correct side trims attached. Refer to the appliance manual for further details. It is advised to check full operation of the fire at this point.



### Step 3

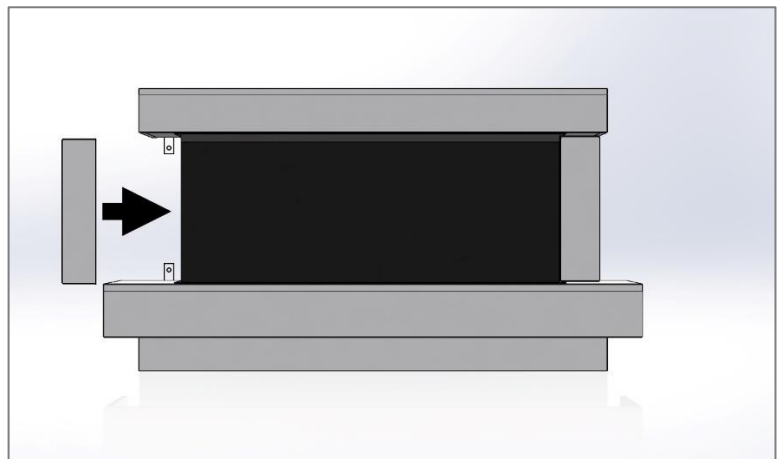
Position the top assembly on to the top of the fire and secure to the wall using adhesive and the brackets attached to the rear. The brackets may need to be rotated into position as shown.



### Step 4

Position the side components at both sides of the fire, concealing the brackets from the top and plinth assemblies. Secure to the wall using adhesive only.

Be sure to wipe away any excess adhesive from the wall and fireplace.



PureGlow

PASSION IN DESIGN